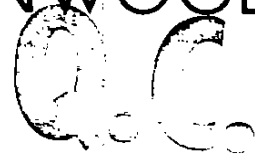


KFC-W412

SERVICE MANUAL

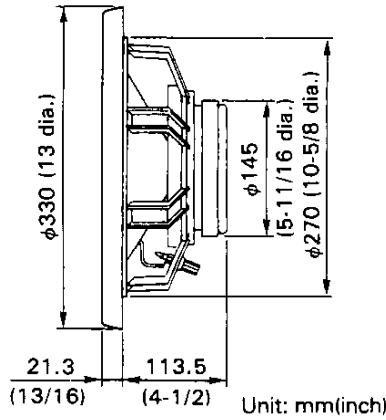
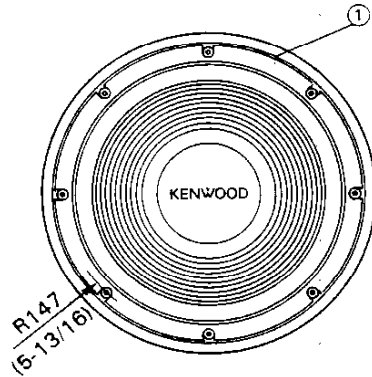
KENWOOD



©1991-5 PRINTED IN JAPAN
B51-6329-00(T) 1419

COPY

EXTERNAL VIEW

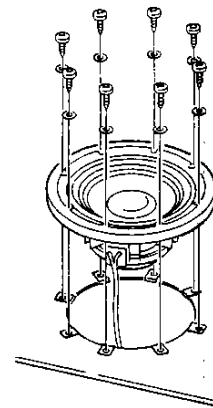


SPECIFICATIONS

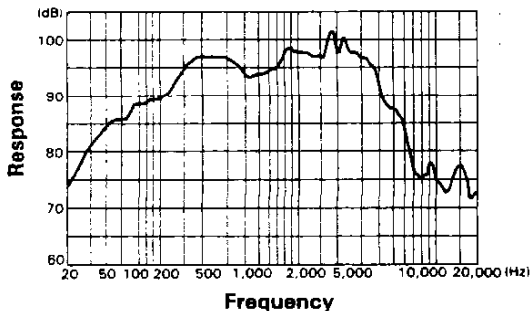
Note:
KENWOOD follows a policy of continuous advancements in development. For this reason specifications may be changed without notice.

Subwoofer	300 mm (12") Cone Type	
Nominal Impedance	4 ohms	
Peak Input Power	400 watts	
Rated Input Power	130 watts	
Sensitivity	94 dB/watt at 1 m	
Free Air Resonance	40 Hz	
Frequency Response	40 to 4,000 Hz	
Recommended Crossover Frequency	800 Hz or lower	
Dimensions	Diameter: 330 mm (13")	
	Height: 21.3 mm (13/16")	
	Depth: 113.5 mm (4-1/2")	
Net Weight	4.2 kg (9-1/4 lbs)	
Supplied Parts	Screws ϕ 4 - 25 mm (3/16" dia. - 1")	x 8
	Washers ϕ 4 (3/16" dia.)	x 8
	Clip nuts ϕ 4 (3/16" dia.)	x 8

INSTALLATION



FREQUENCY RESPONSE



PARTS LIST

★ New parts
Parts without **Parts No.** are not supplied.
Les articles non mentionnés dans le **Parts No.** ne sont pas fournis.
Teile ohne **Parts No.** werden nicht geliefert.

Ref No.	New Parts	Parts No.	Description
①	★	T10-0526-08	SPEAKER
-		N99-1074-08	SCREW SET